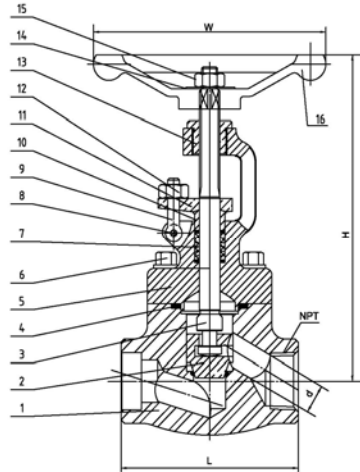


# YONG YUAN VALVE

## FORGED STEEL GLOBE VALVE

### YSB SERIES

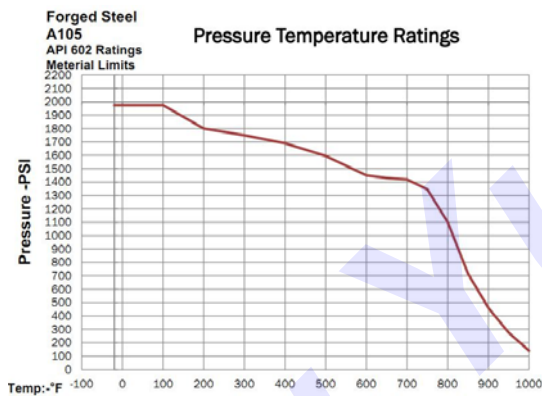


#### Features:

- Conventional Port
- Design and Manufacture: API602
- Threaded ends to ANSI B1.20.1(NPT)
- Socket-weld dimension: ASME B16.11
- Pressure-temperature ratings: ASME B16.34
- Inspection and Test: API598
- NACE MR-01-75

#### Parts & Materials

No.	Part	Material
1	BODY	ASTM A105
2	DISC	Stainless Steel A182-F6a
3	STEM	Stainless Steel A276-410
4	GASKET	304+GRAPHITE
5	BONNET	ASTM A105
6	BOLT	Carbon Steel A193-B7
7	PACKING	GRAPHITE
8	GLAND BOLT PIN	Stainless Steel A276-410
9	EYELET BOLT	Carbon Steel A193-B7
10	GLAND	Stainless Steel A276-410
11	GLAND FLANGE	ASTM A105
12	NUT	Carbon Steel A194-2H
13	STEM NUT	Carbon Steel A276-410
14	WASHER	Carbon Steel WCB
15	NUT	Carbon Steel A194-2H
16	Handwheel	DUCTILE IRON



#### Dimensions(in)

NPS	PART#	L	d	H	W	NPT	Weight (lbs)
1/4(FP)	YSB02A8	3.11	0.28	6.46	3.94	1/4	4.19
3/8(FP)	YSB03A8	3.11	0.35	6.46	3.94	3/8	5.25
1/2	YSB04A8	3.11	0.35	6.46	3.94	1/2	5.03
3/4	YSB05A8	3.62	0.51	6.46	3.94	3/4	5.36
1	YSB06A8	4.37	0.69	7.99	4.92	1	9.13
1-1/4	YSB07A8	4.72	0.91	8.82	6.30	1-1/4	12.68
1-1/2	YSB08A8	5.98	1.18	10.24	6.30	1-1/2	17.62
2	YSB09A8	6.77	1.38	11.81	7.09	2	27.56
2-1/2	YSB10A8	7.87	1.81	13.98	7.87	2-1/2	37.92