

YONG YUAN VALVE

DUCTILE IRON GROOVED END SWING CHECK VALVE

YKGD SERIES

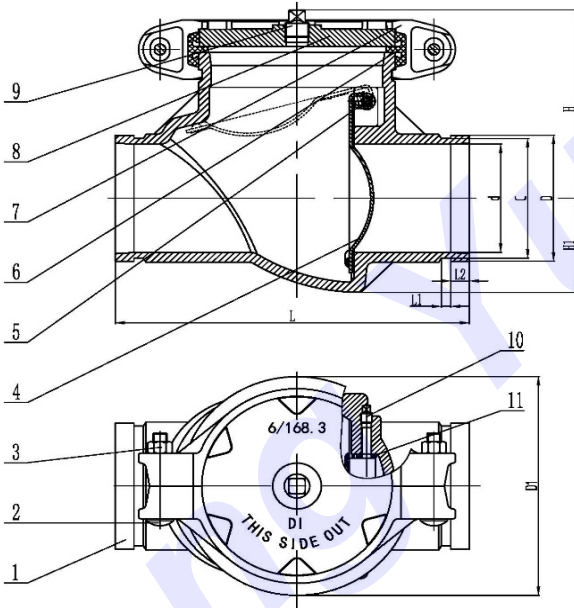


Features:

- FULL PORT
- 300 W.O.G
- QUICK CONNECTION VALVE COVER
- SS316+VITON SEAL
- GROOVED DIMENSIONS CONFORM TO ANSI/AWWA C606
- Test API598

Parts & Materials

No.	Part	Material
1	BODY	ASTM A395 DI
2	STUD	CS+Zn
3	NUT	CS+Zn
4	DISC	SS316+VITON
5	SHAFT	SS316
6	GASKET SEALS	BUNA
7	CLAMP	ASTM A395 DI
8	BONNET	ASTM A395 DI
9	BONNET SCREW	CS+Zn
10	DISK SCREW	CS+Zn
11	DISK GASKET	PTFE



Dimensions(in)

NPS	RART#	L	D	C	d	L1	L2	H	H1	D1	Weight (lbs)
2	YKGD09B3	9.02	2.375	2.250	1.850	0.31	0.63	5.37	1.81	4.45	11.3
3	YKGD11B3	10.75	3.500	3.344	2.874	0.31	0.63	6.02	2.62	6.14	21.6
4	YKGD12B3	12.00	4.500	4.334	3.858	0.37	0.63	6.78	3.39	7.87	33.8
6	YKGD14B3	11.50	6.625	6.455	4.409	0.37	0.63	5.12	4.50	8.11	35.0