

YONG YUAN VALVE

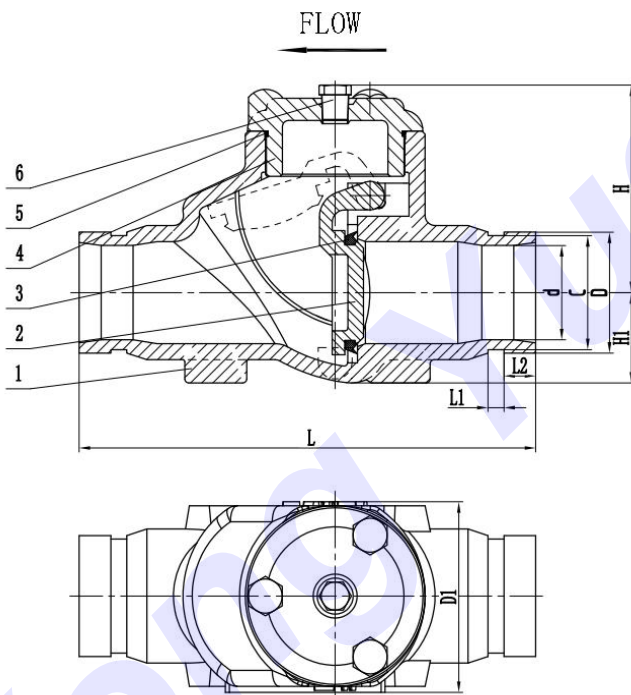
DUCTILE IRON GROOVED END SWING CHECK VALVE

YKGD-B SERIES



Features:

- FULL PORT
- 300、600、750、1000 W.O.G
- THREADED VALVE COVER
- CF8 DISK, VITON SEAL
- GROOVED DIMENSIONS CONFORM TO ANSI/AWWA C606
- Test API598



Parts & Materials

No.	Part	Material
1	BODY	ASTM A395 DI
2	DISK	ASTM A351 CF8
3	O-RING SEAL	VITON
4	BONNET	ASTM A395 DI
5	GASKET	VITON
6	BONNET SCREW	ASTM A105

Dimensions(in)

NPS	RART#	L	D	C	d	L1	L2	H	H1	D1	Weight (lbs)
2	YKGD09V10	9.00	2.375	2.250	1.850	0.31	0.63	4.09	1.77	3.74	12.1