

# YONG YUAN VALVE

## CARBON STEEL SWING CHECK VALVE

### YKAC SERIES



Long  
3600Psi



5000Psi



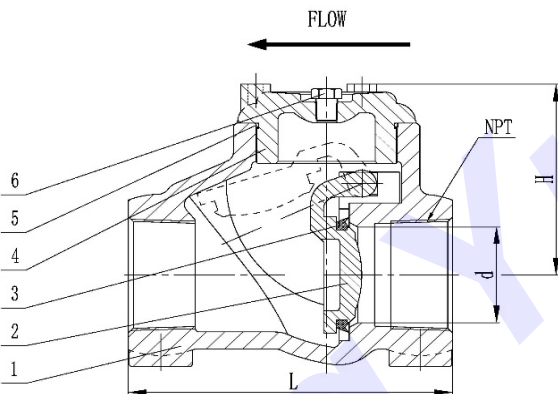
3600Psi

#### Features Include:

- Carbon steel Swing Check Valves
- 1" to 3" Size Range
- 1"-2" Carbon Steel: (300 – 5000 WOG pressure range) 2"-Longbody, 3" Carbon Steel: (300 – 3600 WOG pressure range)
- Full Opening
- Threaded ends to ANSI B1.20.1(NPT)
- NACE MR0175

#### Parts & Materials

No.	Part	Material
1	BODY	ASTM A216 WCB
2	DISK	ASTM A351 CF8
3	SEAL	VITON
4	BONNET	ASTM A216 WCB
5	O-RING	VITON
6	BONNET SCREW	ASTM A105



#### Dimensions(in)

Size	Part#	Connection	Pressure	L	H	d	NPT	Weight (lbs)
1"	YKAC06V50	FNPT	300~5000	4.72	3.29	1.00	11.5NPT	5.25
2"	YKAC09V36	FNPT	300~3600	6.30	4.00	2.00	11.5NPT	12.17
2"	YKAC09V50	FNPT	300~5000	6.30	4.04	2.00	11.5NPT	13.89
2"	YKAC09V36L	FNPT	300~3600	7.25	4.00	2.00	11.5NPT	15.34
2-1/2"	YKAC10V30	FNPT	300~3000	8.00	5.00	2.52	8NPT	24.25
3"	YKAC11V30	FNPT	300~3000	8.00	5.43	3.00	8NPT	28.84