

# YONG YUAN VALVE

## FLANGED END BALL VALVE

### YFBF CLASS 150LB SERIES

#### Features:

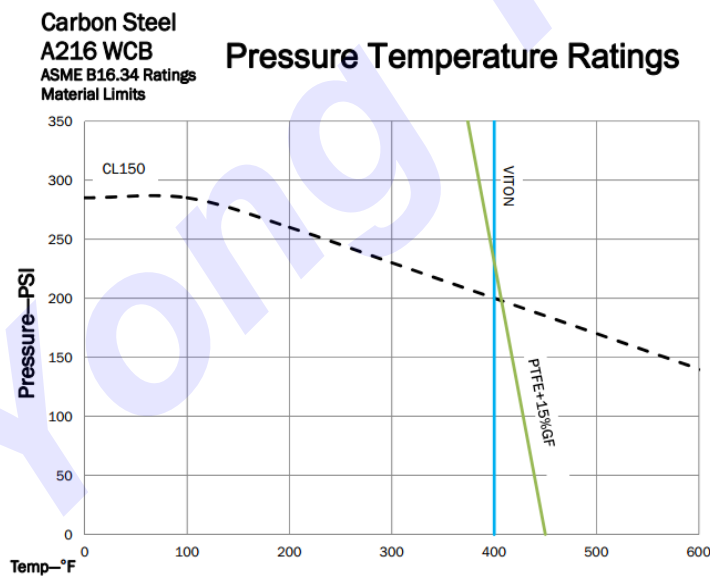
- WCB Body and Adapter
- Anti blowout proof stem design
- Valves Designed to API 6D
- Valves meet ASME B16.34 B16.10 B16.5 and BS5351
- Fire safe Certificate
- Locking Devices Standard for Lever or Gear Operated Valves
- NACE MR0175
- Antistatic grounding between ball, stem and body
- 1"2"2-1/2"3"4"5"6"8"10" Lever Operated 6"8"10" Gear Operated
- ISO 5211 Compatible Mounting Pads



#### Parts & Materials

SPECIFICATIONS		
NOMINAL PRESSURE	285Psi	2.0 Mpa
SHELL STRENGTH (WATER)	450Psi	3.0 Mpa
SEALING TEST (WATER)	315 Psi	2.2Mpa
AIR SEAT PING (AIR)	80.8 Psi	0.55 Mpa

NO.	Description	Material
1	Body	ASTM A216 WCB
2	Stud	ASTM A193 B7M
3	Nut	ASTM A194 2HM
4	Adapter Cap	ASTM A216 WCB
5	Gasket, Body	SS304+Graphite
6	O-ring, Body	HNBR-90
7	Seat *	PTFE+15%GF
8	Ball *	SS316
9	Stem *	SS316
10	Stem, gasket	PTFE
11	O-ring, Stem	HNBR-90
12	Antistatic steel ball	SS304
13	Antistatic spring	SS304
14	Gasket	PTFE
15	Grease Zerk	CS
16	Handle Screw	CS
17	Stop Screw	CS
18	Handle	Ductile Iron
19	Snap Ring	Spring Steel
20	Stop Plate	CS+Ni
21	Stud	CS
22	Nut	CS
23	Spring Washer	CS
24	Gear Operator	Cast Iron Case



“\*” Customer requirements

TEL:0086-579-8715288  
E-mail:cnyvc@cnyvc.com

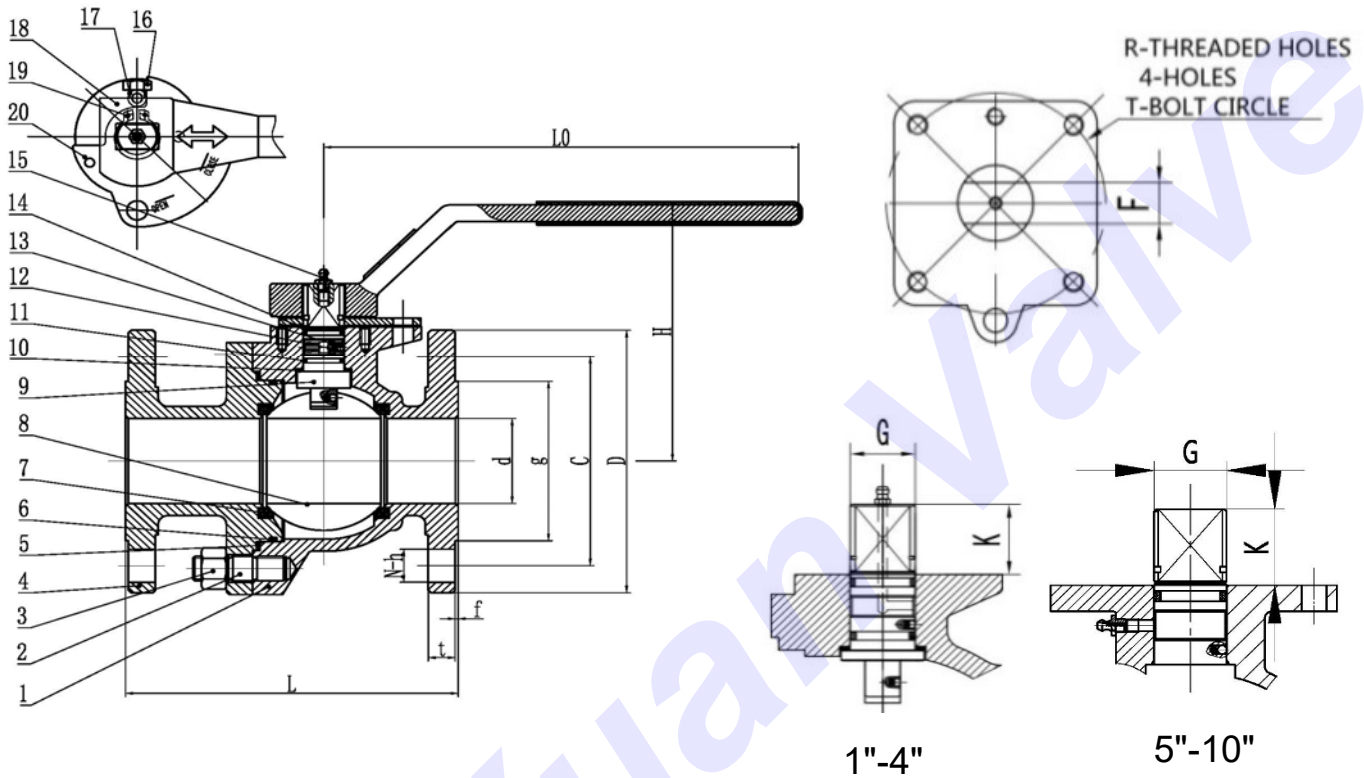
0086-579-8725688  
yu@cnyvc.com

FAX:0086-579-87151442  
HTTP:www.oil-fieldvalve.com

# YONG YUAN VALVE

## FLANGED END BALL VALVE

### YFBF CLASS 150LB SERIES



**Dimensions(in)**

NPS	1"	2"	2-1/2"	3"	4"	5"	6"	8"	10"
L	5.00	7.00	7.52	8.00	9.00	14.02	15.50	18.00	21.00
D	4.33	6.00	7.09	7.50	9.00	10.04	11.00	13.50	15.94
C	3.13	4.75	5.50	6.00	7.50	8.50	9.50	11.75	14.25
g	2.01	3.63	4.13	5.00	6.18	7.32	8.50	10.62	12.75
d	1.00	1.93	2.56	2.91	3.94	4.92	5.91	7.91	9.92
N	4	4	4	4	8	8	8	8	12
h	0.63	0.75	0.75	0.75	0.75	0.88	0.88	0.88	1.00
t	0.38	0.69	0.71	0.88	0.88	0.88	0.94	1.06	1.12
f	0.06	0.06	0.06	0.06	0.06	0.06	0.06	0.06	0.06
H	4.27	5.91	6.32	6.87	9.11	10.83	12.14	14.33	16.34
R	M6	1/4-20	1/4-20	5/16-18	3/8-16	0.55	0.71	0.866	0.866
T	1.800	1.969	1.969	2.750	4.016	4.921	6.500	6.500	6.500
G	0.630	0.866	0.866	1.244	1.374	1.374	1.575	1.969	1.969
F	0.370	0.551	0.551	0.866	0.945	0.945	1.063	1.417	1.417
K	0.945	0.984	0.984	1.339	1.555	1.496	1.594	1.970	2.362
L0	6.2	12.0	12.0	14.0	21.7	25.6	31.5	39.4	45.0
Torque (ft.lb)	11	50	70	90	130	200	625	1000	1916
Weight (Lbs)	9.0	26.5	33.1	46.3	77.2	105	145.5	220.5	407

TEL:0086-579-8715288  
E-mail:cnyvc@cnyvc.com

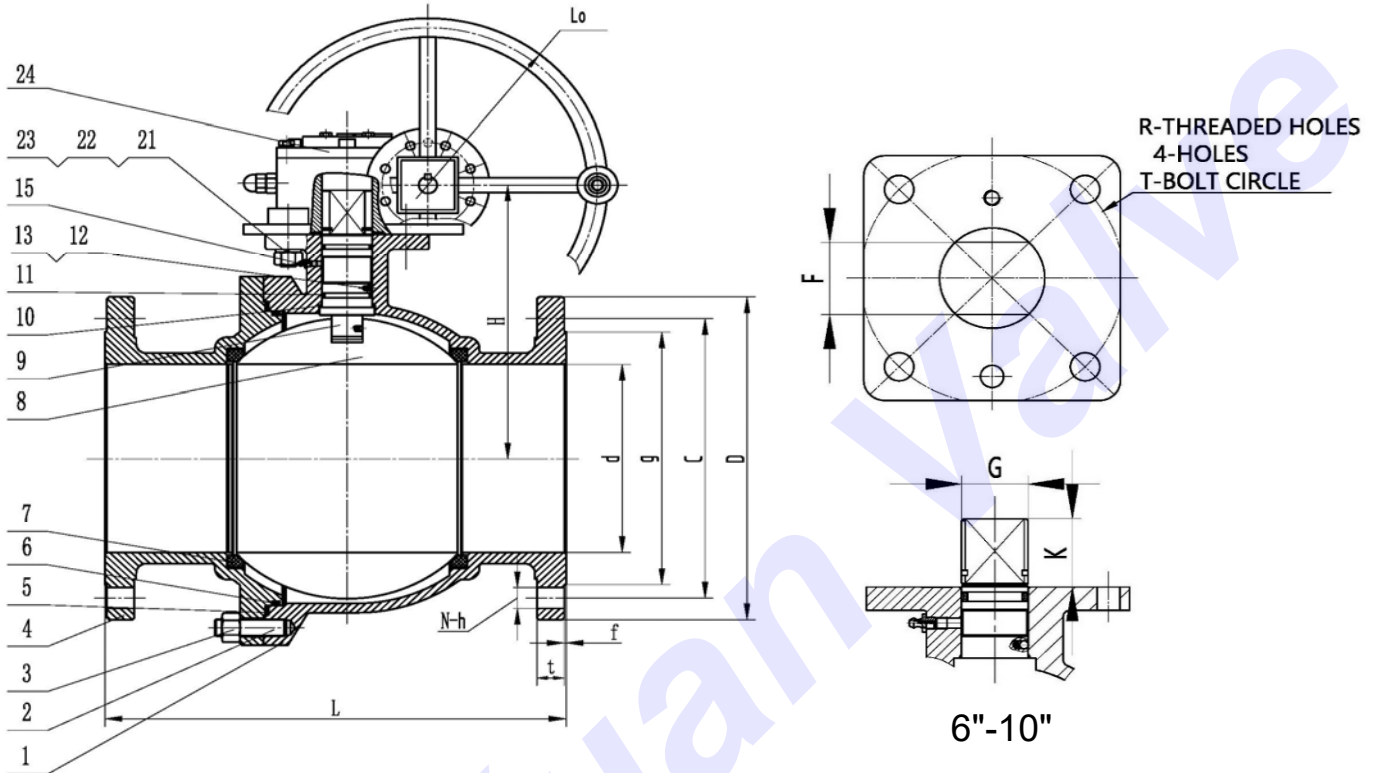
0086-579-8725688  
yu@cnyvc.com

FAX:0086-579-87151442  
HTTP:www.oil-fieldvalve.com

# YONG YUAN VALVE

## FLANGED END BALL VALVE

### YFBF CLASS 150LB SERIES



**Dimensions(in)**

NPS	6"	8"	10"
L	15.50	18.00	21.00
D	11.00	13.50	15.94
C	9.50	11.75	14.25
g	8.50	10.62	12.75
d	5.91	7.91	9.92
N	8	8	12
h	0.88	0.88	1.00
t	0.94	1.06	1.12
f	0.06	0.06	0.06
H	9.88	11.61	13.58
R	4-0.71	4-0.866	4-0.866
T	6.500	6.500	6.500
G	1.575	1.969	1.969
F	1.063	1.417	1.417
K	1.594	1.970	2.362
L0	18.0	18.0	23.6
Torque (ft.lb)	625	1000	1916
Weight (Lbs)	176.4	252.5	438.7