

# YONG YUAN VALVE

## TRUNNION MOUNTED BALL VALVE

### YF3T CLASS 600LB SERIES

**Features:**

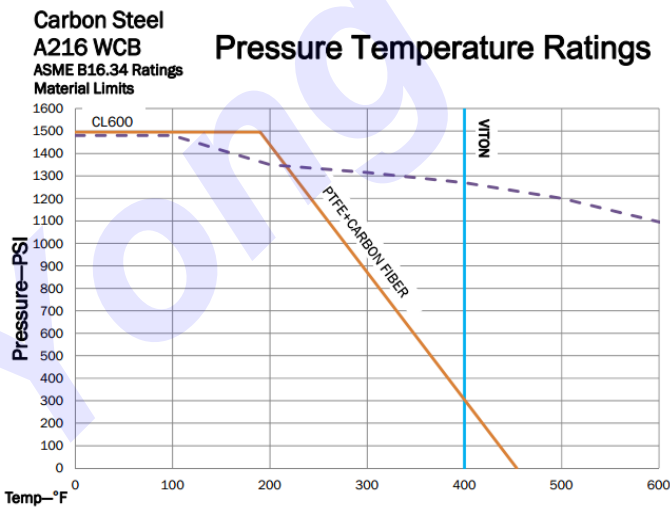
- Forged Steel A105 Body and Adapters
- Anti blowout proof stem design
- Fire Safe graphite rings for protection against external leakage
- Valves designed to API 6D
- Valves meet ASME B16.34 B16.10 B16.5 and BS5351
- Fire tested to API 6FA and 607
- Locking Devices Standard for Lever or Gear Operated Valves
- NACE MR0175
- Emergency Seat Sealant Injection Standard On 4" Bore And Larger
- ISO 5211 Compatible Mounting Pads
- Double block and bleed
- 6" & larger valves are equipped with lifting lugs
- 2" & 3" Lever Operated 4" & 6" Gear Operated



**Parts & Materials**

SPECIFICATIONS		
NOMINAL PRESSURE	1480Psi	10.2 Mpa
SHELL STRENGTH (WATER)	2225 Psi	15.3 Mpa
SEALING TEST (WATER)	1630 Psi	11.5 Mpa
AIR SEAT PING (AIR)	80.8 Psi	0.55 Mpa

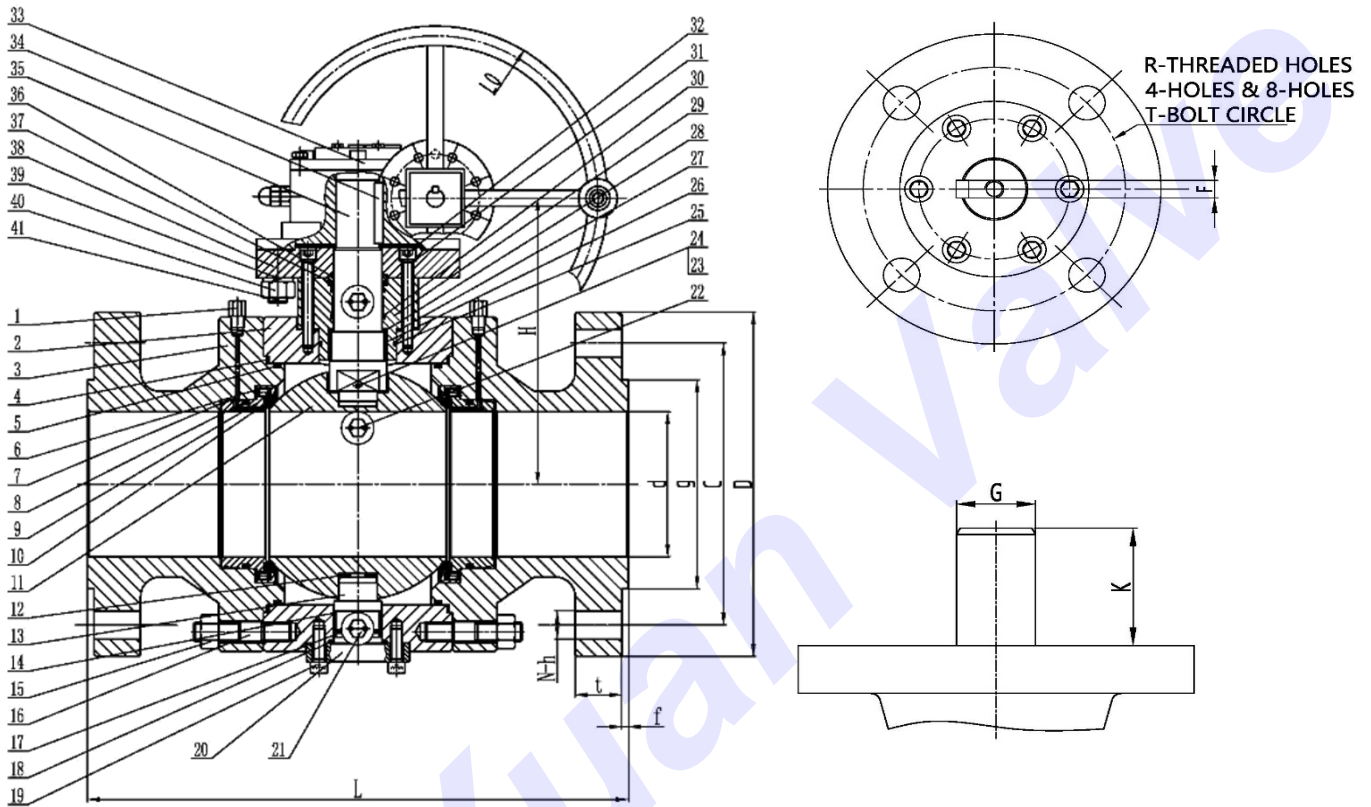
NO.	Description	Material	NO.	Description	Material
1	Seat Injection fitting	ASTM A105	22	Bleed Valve	ASTM A105
2	Body	ASTM A105	23	Antistatic steel ball	SS304
3	Adapter Cap	ASTM A105	24	Antistatic spring	SS304
4	Gasket.Body	SS304+Graphite	25	Gland Plate O-Ring	HNBR-90
5	O-ring.Body	HNBR-90	26	Bearing	SS304+PTFE
6	Spring	17-7PH	27	Gasket.cap	SS304+Graphite
7	Seat Fire Seal	Graphite	28	Gasket	PTFE+carbon fiber
8	O-ring.Seat	HNBR-90	29	Upper cap	ASTM A105
9	Seat Ring	ASTM A182 F316	30	O-ring.	HNBR-90
10	Seat Assembly	PTFE+carbon fiber	31	Spring Washer.cap	CS
11	Ball	ASTM A276 F316	32	Cap Screw	ASTM A193 B7M
12	Gasket	PTFE+carbon fiber	33	Gear Operator	Cast Iron Case
13	Trunnion	ASTM A276 316	34	Stem Key	CS
14	Trunnion Bearing	SS304+PTFE	35	Stem	ASTM A276 316
15	Nut.Body	ASTM A194 2HM	36	Gland Flange	SS410
16	Stud.Body	ASTM A193 B7M	37	Gland Packing	Graphite
17	O-ring.Trunnion	HNBR-90	38	Adapter Plate	CS
18	Gasket Trunnion	SS304+Graphite	39	Spring Washer	CS
19	Lower Cap Screw	ASTM A193 B7M	40	Nut	ASTM A194 2HM
20	Trunnion Plate	ASTM A105	41	Stud	ASTM A193 B7M
21	Body Vent Valve	ASTM A105	42		



# YONG YUAN VALVE

## TRUNNION MOUNTED BALL VALVE

### YF3T CLASS 600LB SERIES



**Dimensions(in)**

NPS	2"	3"	4"	6"
L	11.50	14.00	17.00	22.00
D	6.50	8.25	10.75	14.00
C	5.00	6.62	8.50	11.50
g	3.63	5.00	6.18	8.50
d	1.97	2.99	3.94	5.91
N	8	8	8	12
h	0.75	0.88	1.00	1.14
t	1.00	1.25	1.50	1.88
f	0.25	0.25	0.25	0.25
H	8.18	9.02	8.84	11.63
R			4-0.71	4-0.91
T			5.510	6.500
G			1.496	1.771
F			0.47	0.55
K			2.125	2.637
L0	12.0	20.0	12.6	18.0
Torque (ft.lb)	100	172	236	664
Weight (Lbs)	74.95	124.67	274.14	559.97