

YONG YUAN VALVE

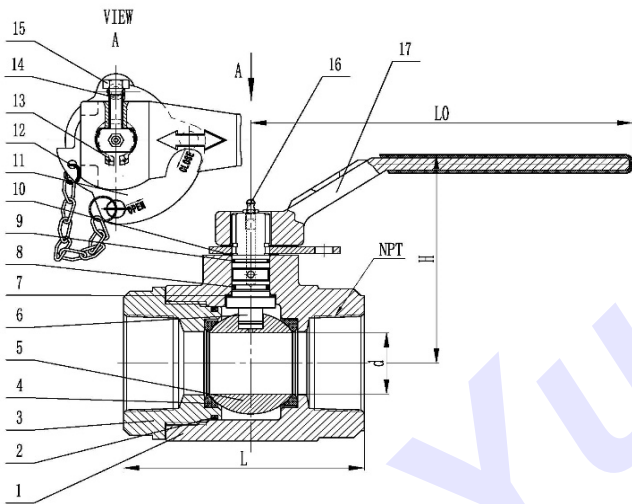
FORGED STEEL BALL VALVE

YBAF-RP SERIES



FEATURES:

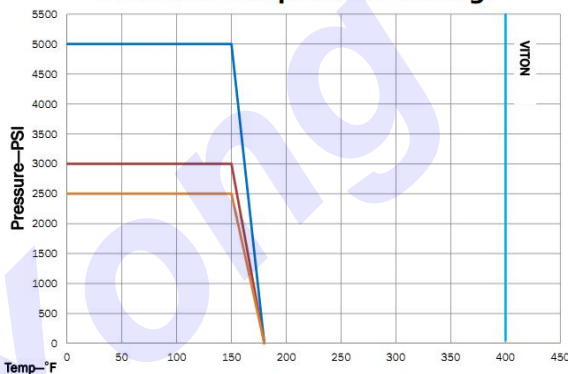
- 5000 W.O.G. STANDARD PORT
- FORGED STEEL A105 BODY
- BLOW OUT PROOF STEM
- DELRIN/NYLON(Optional)SEAT
- INSPECTION AND TEST:API598
- THREADS CONFORM TO ASME B1.20.1(NPT)
- NACE MR-01-75



Parts & Materials

No.	Part	Material
1	BODY	ASTM A105
2	BODY SEAL	VITON
3	ADAPTER	ASTM A105
4	SEATS	DELRIN
5	BALL	SS420
6	STEM	ASTM A276 420
7	THRUST BEARING	PTFE
8	STEM SEAL	VITON
9	STEM SEAL	VITON
10	STEM BEARING	PTFE
11	STOP PLATE	CS+Ni
12	PIN WITH CHAIN	STAINLESS STEEL
13	RETAINER RING	SPRING STEEL
14	STOP PIN	SPRING STEEL
15	HEXAGON BOLTS	CARBON STEEL
16	GREASE ZERK	CARBON STEEL
17	HANDLE	DUCTILE IRON

Pressure Temperature Ratings



Dimensions(in)

Size	Part#	PORT	Pressure	L	H	d	NPT	L0	Weight (lbs)	TORQUE (in-lb)
2"	YBAF09L50	RP	5000	5.51	5.07	1.50	11.5NPT	10.0	14.44	2700

*Torque at Full Rated Pressure

TEL:0086-579-8715288
E-mail:cnyvc@cnyvc.com

0086-579-8725688
yu@cnyvc.com

FAX:0086-579-87151442
HTTP:www.oil-fieldvalve.com